

OLON



Drawer Components



Our engineered vinyl, polypropylene and wood drawer systems are produced to precise tolerances on technically advanced, specialized machinery. Our product enhances production efficiencies in all fields of the cabinet and furniture industry.

1.800.387.2319 • www.olon.com

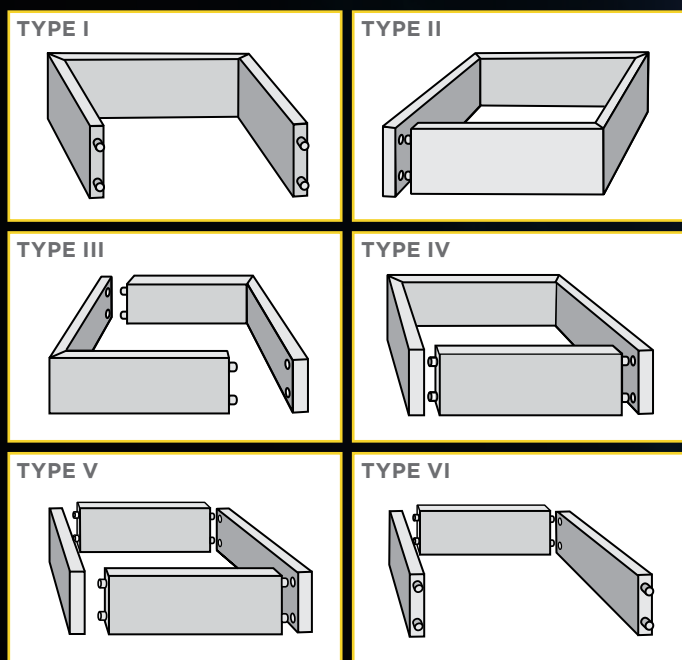
Drawer Components

Blank, miterfold and knockdown (KD) drawer systems are produced to precise specifications and made ready to assemble in a wide range of sizes, colours and styles.

Notable Features

- Drawers assemble in seconds thereby significantly reducing labor costs.
 - Eliminates cutting, dadoing and banding raw edges.
- Miterfold drawer systems are available in realistic woodgrains, patterns and solid colour vinyl or polypropylene films.
- Exact miters and bottom grooves ensure a perfect drawer fit every time.
- Matching drawer bottoms.
- PVC or ABS file rails, integrated into the top-edge of drawers, are available.
- Custom drilling, grooves and thicknesses are available.
- KD drawer pieces are pre-drilled and doweled – ready for packaging.
- Flat or bullnose top-edges are available.
- Birch plywood drawer systems are available finished with clear UV coating.
- FSC certificate code SCS-COC-001686 on request.

Type of Construction



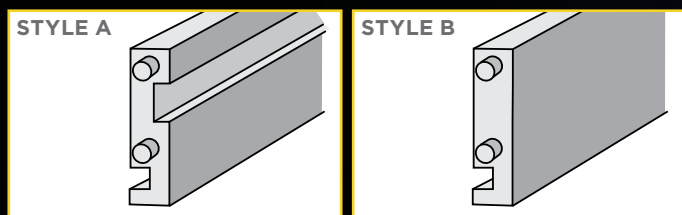
(Imperial dimensions are approximate conversions of actual metric sizes)

	Minimum	Maximum
Drawer Height	50 mm (2")	275 mm (10 3/4")
Drawer Length (Flat)	225 mm (8 7/8")	2768 mm (109")
Drawer Thickness	12.5 mm (1/2")	13.2 mm (33/64")
Bottom Groove Width	4 mm (5/32")	14 mm (35/64")
Bottom Groove Depth	6 mm (1/4")	6.5 mm (1/4")
Standard Glide		
Groove Widths	17 mm	52 mm
Glide Groove Depth	6 mm (1/4")	6 mm (1/4")
Dowel Diameter		8 mm (5/16")
Dowel Spacing	Multiples of 32 mm (1 1/4")	32 mm multiples
No. of Dowels	0	4
Film Gauge	0.15 mm (0.006")	0.20 mm (0.008")
Bottom Groove to Bottom	10 mm (3/8")	22 mm (7/8")

Minimum Drawer Width:

Type 1	178 mm (7")
Type 2	178 mm (7")
Type 3	178 mm (7")
Type 4	178 mm (7")
Type 5	102 mm (4")
Type 6	102 mm (4")

Dowel and Groove Configuration



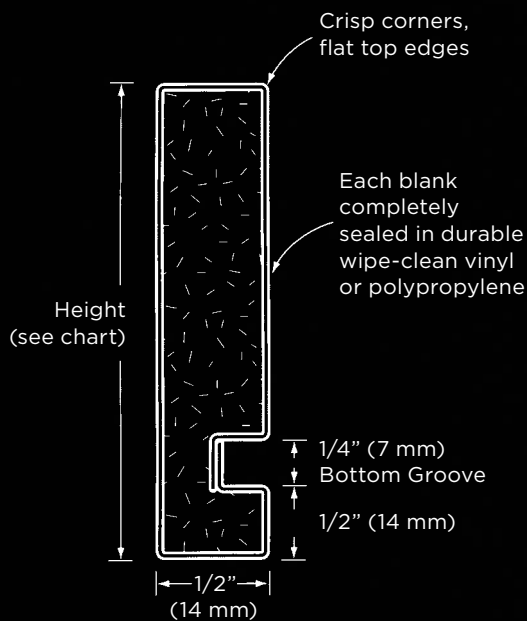
***Note:** Custom heights available upon request.

All drawer dimensions other than bottom groove width have a tolerance of ± 0.5 mm

Vinyl & Polypropylene Drawer Blanks



Improve Your Quality • Cut Your Costs



The Vinyl & Polypropylene Clad Advantage

- Vinyl and polypropylene are fully wrapped 360° into the groove
- Moisture and stain resistant
- Reduced labor costs
- Durable surface wipes clean in seconds
- Avoids time-consuming expensive finish application
- No edgebanding required
- Snag-free interiors
- Crisp, professional look
- No groove routing required

Specifications

Length..... 8'

Thickness..... 1/2", 5/8"

Height..... 3", 4", 5", 5 1/2", 6", 7", 8", 9 7/16", 10"

Colours: White, Black, Almond, Sycamore, Dark Maple, Alder, White Maple, Cotton Breeze, Woven Haze, Seaside Grove, Café Latte, Urban Greywood

Polypropylene colours: White, Black, Dark Maple

<p>DRILL & DOWEL</p>	<p>TONGUE & GROOVE</p>	<p>FRENCH DOVETAIL</p>
<p>RABBET</p>	<p>WAFFLE INSERT</p>	<p>STAPLE</p>
<p>MITER</p>		

Birch Plywood Drawer Sides



7-ply Construction

Clear Lacquer Finish

12 mm Thick

1/4" Bottom Groove (6.5 mm)

Pre-finished 7-ply plywood drawer sides. Seven heights have a 1/4 in. (6.5 mm) bottom dado groove, 14 mm from bottom.

Birch Plywood 8 Foot Program

Flat Top-Edge Banded & UV Cured Coating

Height	Length	Groove Size	Pieces Per Box
2 3/4" (70 mm)	8 ft.	1/4" (6.5 mm)	20
4" (102 mm)	8 ft.	1/4" (6.5 mm)	20
5" (127 mm)	8 ft.	1/4" (6.5 mm)	20
6" (152 mm)	8 ft.	1/4" (6.5 mm)	20
8" (203 mm)	8 ft.	1/4" (6.5 mm)	10
10" (254 mm)	8 ft.	1/4" (6.5 mm)	10

Russian Birch Plywood 5 Foot Program

Flat Top-Edge Banded & UV Cured Coating

Height	Length	Groove Size	Pieces Per Box
3 1/2" (90 mm)	5 ft.	1/4" (6.5 mm)	20
4" (102 mm)	5 ft.	1/4" (6.5 mm)	20
5" (127 mm)	5 ft.	1/4" (6.5 mm)	20
6" (152 mm)	5 ft.	1/4" (6.5 mm)	20
7" (178 mm)	5 ft.	1/4" (6.5 mm)	20
8" (203 mm)	5 ft.	1/4" (6.5 mm)	10
10" (254 mm)	5 ft.	1/4" (6.5 mm)	10

For more information, please contact us at the office nearest you.

Georgetown, ON
Tel: (800) 387-2319
Fax: (905) 877-7383

Washington, IN
Tel: (800) 522-8521
Fax: (812) 254-2981