

# OLON



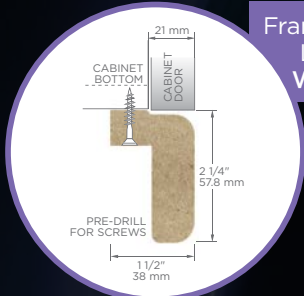
## Accessory Mouldings Veneer Wrapped Profiles

Olon Industries carries a complete range of traditional and contemporary crown, light shield and accent mouldings.

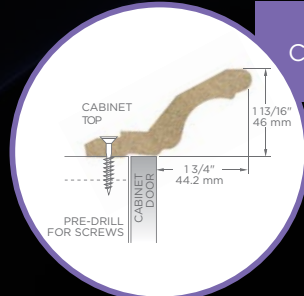


1.800.387.2319 • [www.olon.com](http://www.olon.com)

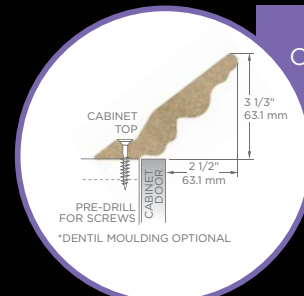
# Veneer Wrapped Profiles



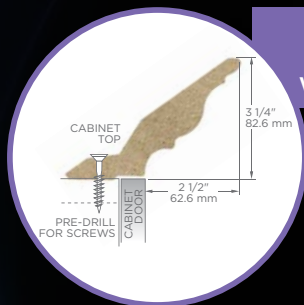
Frameless Cabinet Light Shield  
WP02 6/box



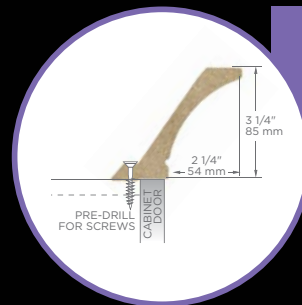
Frameless Cabinet Crown  
4021 6/box



Frameless Cabinet Crown  
WP11 3/box



Traditional Crown  
WP12 3/box



Contemporary Crown  
WP22 4/box

## Product Offering – STOCK

Olon veneer wrapped MDF profiles are stocked in lengths of 107" (2.7 m) in Georgetown, ON and 96" (2.4 m) in Jeffersonville, IN in White Paintable, Red Oak and Maple veneer.

## Product Offering – CUSTOM

Custom offerings for veneer wrapped MDF profiles are available on a special order basis in varying lengths with minimum order quantities and lead times based on production runs.

### Offerings include:

Cherry / Euro Steamed Beech / Figured Quartered Anigre / Hickory / Mahogany (African - Khaya) / Makore / Maple (Other Cuts) / Machine Figured Anigre / Red Alder / Red Oak (Other Cuts) / Rosewood / Sycamore (English) / Teak / Walnut / Wenge / White Ash / White Oak / White Pine / Zebrawood

Reconstituted veneer species may also be available.

## Notable Features

- Olon uses only premium MDF for a better quality product. While solid wood profiles tend to warp and twist, MDF profiles remain straight.
- There are minimal knots and mineral streaks in our wrapping grade veneer. High quality veneer with uniform coloration is used for profile wrapping.
- Wrapping grade veneer is pre-sanded. No grain filling or heavy sanding required.
- Profiles of up to 12' (3.7 m) in length are available for an excellent yield.
- Our stringent manufacturing tolerance guarantees profile uniformity and consistency.

For more information, please contact us at the office nearest you.

### Georgetown, ON

Tel: (800) 387-2319  
Fax: (905) 877-7383

### Geneva, IL

Tel: (630) 232-4705  
Fax: (630) 232-4719

### Jeffersonville, IN

Tel: (812) 256-6400  
Fax: (812) 256-6450

### Washington, IN

Tel: (800) 522-8521  
Fax: (812) 254-2981